

rainAhead

HIGH PRECISION RAIN GAUGE

7.20

General

rainAhead® is a modern and sturdy rain gauge for measuring rain intensity as well as quantity.

The rain gauge is mounted on e.g. a pole and is collecting the rain in the hopper which leads the water to the rainAhead® measuring system.

rainAhead® is factory calibrated to create an impulse per 0.2mm rain. The connected MJK unit measures and calculates the intensity and amount of rain.

The unique, self-emptying tilting-cup is patented. This makes rainAhead® one of the most precise rain gauges on the market. Using the material Styrosan, rainAhead® is designed for a life expectancy of +10 years.

Features

- 200 cm² collecting area
- Made of Styrosan, and tolerates temperatures down to -50° C.
- Patented tilting mechanism provides 5 electric impulses per millimetre rain.
- Can be connect to MJK Connect®, Mμ Connect® or Chatter®.

Applications

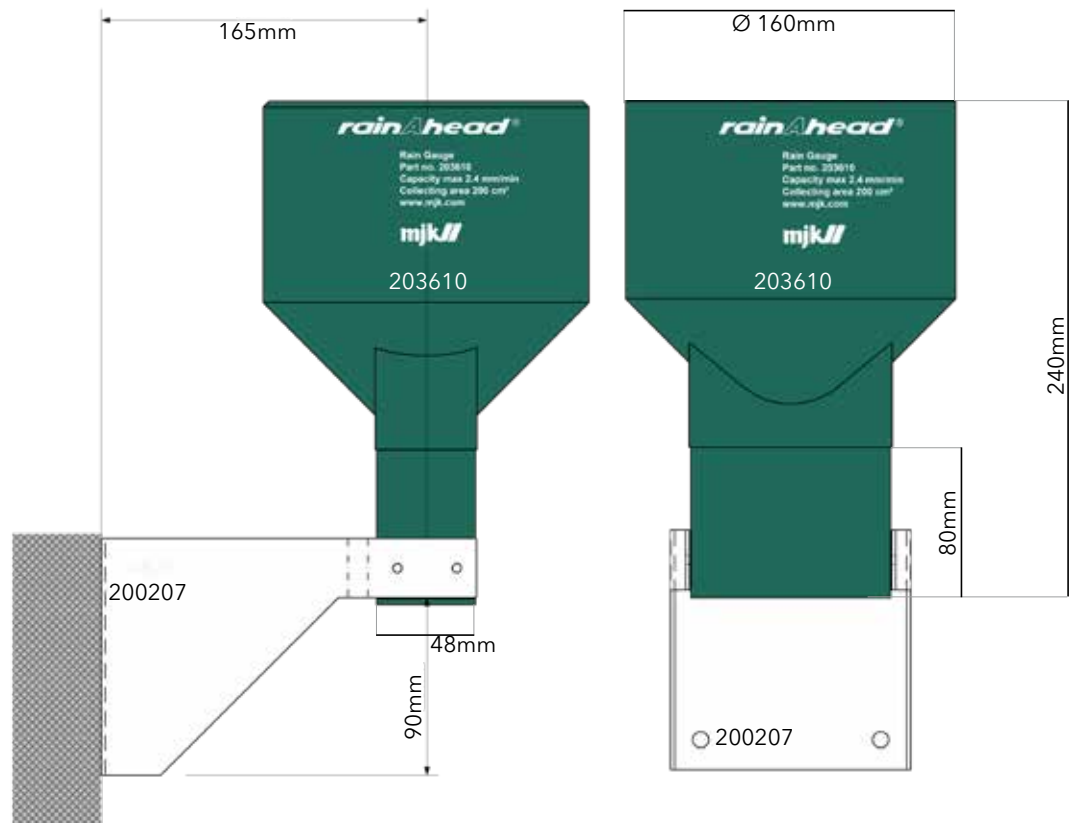
- Rain intensity measuring
- Local control of pumps via connected MJK unit
- Water and waste water facilities
- Collection of data for meteorological statistics and SCADA systems
- Weather stations.

DATASHEET

EN 7.20 RAINAHEAD DATASHEET 2104



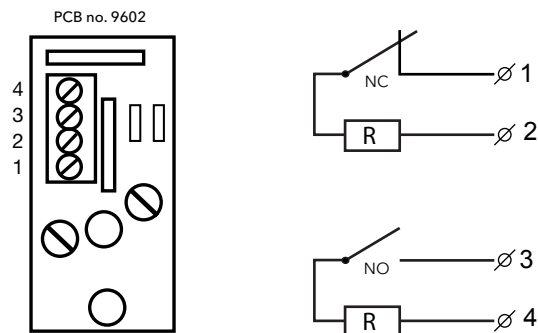
Dimensions



Specifications

rainAhead® rain gauge	
Power supply	Powered from the connected MJK unit
Rain capacity	Maks. 2.4mm per minute
Calibration	Factory calibrated and built-in fine-adjustment
Potential free relay	R: 1 K Ω ¼W, Max: 28 V AC/DC, Max: 20 mA
Resolution	0.20mm per impulse, max 12 impulses/minute
Time	200 ms
Collecting Area	200 cm ² , meteorological standard
Weight	380 g.
Material	Styrosan
Temperatur	-50°C ... 60°C
Patents/Certificates	UM-27598, AU Pat. 565951, EPO Pat 0104212, US Pat 4.644.786, CA Pat. 1246181, Japan Pat. 501208/83, Taiwan Reg. 74-201292.

Electrical Connections



Terminal	Switch	0,2 mm/Tilt
1 - 2	NC (Normally Closed)	200 ms Open
3 - 4	NO (Normally Open)	200 ms Closed

Control Function

For data collection and control, rainAhead® can with great advantage be connected to:

- Connect and M μ Connect® RTU units, both providing built-in function to control the pump-down sequence depending on the rain intensity
- Chatter battery operated datalogger with GSM/GPRS modem, for transfer of data to SCADA facility for further analysis.

Datalogging of quantity and intensity is made.

Mount the raingauge on a pole or e.g. the roof, the meteorological standard is however 1.5 meter above ground.



Order Numbers

Rain gauge	
203610	MJK rainAhead® rain gauge

Accessories	
200207	Bracket for RainAhead® (SS316)
200205	Universal bracket



MJK
Blokken 9
DK-3460 Birkerød
Denmark

Tel +45 45 56 06 56
www.mjk.com

Connect, Mµ Connect, Chatter, MagFlux, Oxix, pHix compact, Shuttle and SuSix
are registered trademarks of MJK Automation ApS.
© 2021 Xylem, Inc.

